

Pressure filter

Bioclear XL 40000 • Model 2019

Instructions for use



English

Svensk

Dansk

IMPORTANT: Please read this instruction manual carefully before using this product. Keep the manual safe for future reference.



Instructions for use Bioclear XL 40000

Carefully read the operating instructions before using this filter for the first time. It is important that you know both the safety regulations and the use of this filter. It should be noted that people who did not sit into the operating instructions should not work with the filter. As we continuously improve and develop our products, accessories etc. differ from the pictures on the packaging.

Symbols



Inlet from the pump to the filter



Outlet from the filter to the pond



Rewind the filter

Unpacking

If you see damage to the filter or accessories when unpacking, you should notify your dealer immediately.



The box contains

- 1 bioclear pressure filter with UV
- 3x2 hose connections 40/50 mm hose
- 2 unions
- 3 flat packs
- 1 drain tap with universal hose connection and union
- 1 instructions for use

We recommend that you look at our website to see the latest updated the operating instructions.

Technical data

Model:	40000
Filter volume:	170 liter
Max. pond size without fish:	40.000 liter
Max. pond size with little fish:	20.000 liter
Max. pond size with lots of fish/koi:	10.000 liter
Max. pump capacity:	15.000 l/t
Inlet / outlet:	40/50 mm
UV HQ2 PL:	55 watt
Volt:	230V 50 Hz
Connection with external thread	2"
Size (LxBxH):	60x60x85 cm

Use

Bioclear with built-in UV-C is a biological and mechanical pressure filter intended for cleaning garden ponds with or without fish. It is for private use only.



Safety regulations

Never use the pressure filter if the cable, UV-C lamp or filter container is damaged. Never open the UV-C housing or its parts unless it is written in these operating instructions. Check that the type plate of the appliance corresponds to your local voltage. The pressure filter must always be connected across a ground fault circuit interrupter of max. 30 mA. Make sure that electrical outlets and contacts are always dry.

If you have any doubts or questions regarding the electrical connections, consult an authorized electrician.

Interventions intended to manipulate or change the filter's electronics pose a danger.

If such interventions are made, all warranty is void.

Never lift or carry the filter in the power cord. Protect it from heat, oil and sharp edges. Position the cable so that it is not damaged.

The appliance must not be used by children or by others whose physical or mental knowledge is not sufficient to use the appliance.

The pressure filter must never be immersed in water.

Never use the pressure filter if there are people in the pond.

Pumps with a larger capacity than those recommended by the filter manufacturer must not be used. The filter **MUST** be cleaned regularly. It must never work with a water pressure higher than 0.2 Bar = 2 meters lifting height. A higher working pressure in the filter can cause O-rings to not hold tightly and consequential damage occurs such as. that the dam is emptied of water.

The maximum pressure capacity of the pump must not exceed 0.5 Bar (5 meters lifting height).

Only use hoses that are approved for a pressure of at least 0.2 Bar. The height difference between the filter cover and the highest point of the outlet hose may be a maximum of 1 m.

Check and, if necessary, clean the filter outlet to the dam regularly. The outlet must always be free so that the filter does not risk being exposed to a pressure higher than 0.2 Bar. This can cause the filter to start leaking and emptying the dust.

During all work on the pressure filter and the UV-C unit, the current must always be cut off by pulling the electrical plug out of the socket.

The unit's UV-C unit emits dangerous ultraviolet radiation. These rays are dangerous to both eyes and skin. The UV-C lamp must never be kept lit without being fitted. The lamp must never be lit so you can see it immediately, but if a check is to be made, it must be done according to the instructions in the instructions. A pressure filter with UV-C must always be placed at least 2 meters from the dam so that it cannot fall into the water. The UV-C unit must not be switched on unless water is flowing through. Therefore, always switch on the pump before the UV-C unit.

Never open the UV-C housing or its parts unless recommended directly in this manual. Interventions intended to manipulate or change the filter's electronics pose a danger. The components must be assembled exactly according to production, so as not to be damaged or stop working completely. If such interventions are made in the electronics, all warranty is void.

When the filter is set to the "FILTER" position, the cleaning outlet and possibly outlet hose that is connected, be closed with the included gasket and shut-off valve. This is to avoid leakage and emptying of the dam. The crane also functions as a safety measure if the function knob is accidentally set to "CLEAN". Make sure that the function knob is always in the "FILTER" position during normal operation when the pump is running.

The function knob should only be in the "CLEAN" position when the filter sponges are cleaned with the handle function or backwashed.

Before starting the filter, always check the connections so that they are seated correctly. The pressure filter must not be used with liquids other than water. The filter must be emptied and placed frost-free during the winter (winter storage page 8).

Always place the pressure filter so that it is not exposed to direct sunlight.

How the pressure filter works



Pressure filter with built-in UV-C is a closed filter system for mechanical and biological purification of garden ponds.

A: Water inlet

The pump must be connected to the inlet with a pressure hose.

B. Vortexsystem

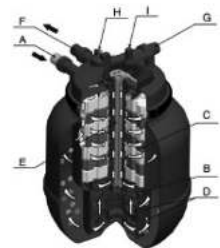
Absorbed particles and sludge are precipitated by centrifugal and gravity.

C: Mechanical filter

Dirt particles are caught by the filter sponges before the water continues into the inner chamber of the filter.

D: Biological cleaning

The pores of the filter sponges create a large biological surface where the beneficial decomposing bacteria take root. The yellow and blue filter sponges have different pore densities. It creates zones with different permeability and oxygen content for different kinds of bacteria. Zones with a high permeability (blue sponges) are suitable for oxygen-demanding bacteria that break down ammonia into nitrite via a decomposition process. Zones with low flow (yellow sponges) are suitable for bacteria in an anaerobic (oxygen-poor) environment that reduces nitrate to nitrogen.



In Bioclear XL 40000, the water from the pond is pumped into the filter via the inlet adapter (A) and pressed in a vortex motion through the filter sponges and down through the bioballs. The water continues through the UV-C unit and leaves the filter through the outlet adapter (F) into the pond.

E: UV-C irradiation of water

When the water passes the UV-C unit, it is briefly irradiated with UV rays from the lamp. Bacteria and algae cells die. When the algae cells there, floating algae clump together and can be captured in the filter.

F: Outlet adapter for the pond

From the outlet adapter, the water returns to the dam via a hose. The effluent can make a waterfall or directly to the pond.

G: The cleaning outlet

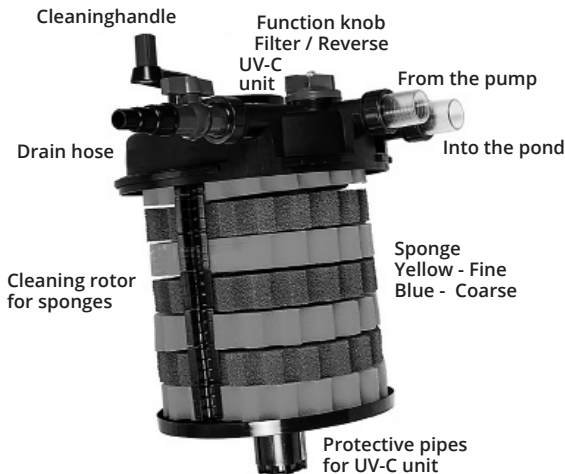
When you backwash the filter, a drain hose for the dirty water can be connected so you can flush out the water in a plantation or drain. The nutritious water is ideal fertilizer for your plants.

H: Function knob

The function knob switches the outlet between the normal "FILTER" and the backwash function "REVERSE".

I: Cleaning the filter with the handle

The filter sponges can be cleaned while the filter is backwashed by spinning the crank. When using the crank, the sponges are scraped off and the dirt is washed away with the backwash function.



Pressure losses due to height differences
At www.pondteam.com under "Select pump" you can calculate the appropriate pump size yourself.

The pressure filter with built-in UV-C must be run continuously 24 hours a day. The UV-C lamp must be replaced after 7,000 hours (approx. 1 time / season) to secure that the UV-C unit works with optimal efficiency.



Installation and assembly of Bioclear

Choose a suitable location. Avoid placing the filter in direct sunlight. In that case, it should be shaded. Place the filter so that there is no risk of water flooding or it may fall into the pond. Place the filter on a flat surface e.g. a stone slab.

Make sure that there is enough space to work with the filter e.g. backspola.

Hose dimensions

Decide which hose dimension to use and cut the connection data to the appropriate dimension to avoid pressure losses. Be sure to use hoses that can handle at least 0.2 bar.



Connection of the hose to the dam

Decide which hose diameter you want to use and select the appropriate hose adapter. Only use hoses that can withstand a pressure of at least 0.2 bar. We recommend that you use 40 or 50 mm hose. The outlet hose must never be narrower than the inlet hose.



Shutdown of the cleaning outlet

When the drain outlet is not in use, the tap on the drain must always be in the closed position. The cleaning knob is not completely tight and the drain outlet can drip if the tap is not closed.



Start-up of Bioclear pressure filter

Before starting the filter, make sure that the hose connections, the filter cover and the clamping ring are fitted correctly. The sealing ring between the lid and the container must be lubricated with a little silicone grease before tightening the locking ring. The function knob must be in the "FILTER" position. It is important that you read the safety regulations before putting the filter into operation.

1. Switch on the pump

NOTE! The UV-C lamp must not be switched on before the water flows through the filter.

2. When you put on the pump, make sure that all hose connections are tight

3. Turn on the UV-C unit

4. The small sight glass on the lid glows blue when the UV-C tube is lit

It can sometimes be difficult to see the blue light. Then look from the side or wait until the evening when it gets dark.



Cleaning and operation

The pressure filter is virtually maintenance-free, but the filter sponges must be cleaned regularly. As the filter is subject to wear and tear due to operation and weather conditions, it needs to be maintained regularly to maintain its good function. Over time, sludge and dirt will block the filter sponges, which must then be cleaned. You notice that the pressure on the outlet decreases or cloudy water comes out of the filter. It is a good idea to clean the filter sponges about every 14 days or if you notice that the flow decreases.

1. Open the cleaning tap or install a hose adapter.
2. Screw the function knob to the "REWIND" position.
3. Crank the handle on top of the lid. In this way, the dirt is scraped off the filter sponges and they are cleaned mechanically. Continue to crank as long as the water is dirty.
4. When the filter sponges have been cleaned, clear water comes out of the drain hose. Then turn the function knob back to the "FILTER" setting.
5. Close the drain tap.
6. The filter now works normally again. Check the connections. At least once a year, the filter **MUST** be disassembled, cleaned and maintained. Such as O-rings being replaced or lubricated with silicone grease, to continue to peel in the best way (Pondteam has sets that contain the necessary parts).

Wash the filter sponges

If the water flow decreases and it does not help to clean through the cleaning crank, you must remove the sponges and wash them manually or install new ones. Never use any kind of detergent, as this will kill the beneficial microorganisms found in the filter sponges. Always mount the filter sponges so that they fill the entire space between the top and bottom top / bottom plate.

Cleaning / replacing filter sponges

1. Remove the clamping ring between the container and the lid. Also the loose spring.
2. Lift the filter part out of the container. Place the landscape in a suitable place.
3. Remove the protective tube from the UV part.
4. The base plate can now be carefully removed from the center. (UV part) and turned to the side.
5. You can now remove the filter sponges. The plastic holders in the middle of the sponges are easy to remove. Carefully lift the lid away from the small buttons that hold it together.
6. The filter sponges are rinsed in dusty water or lukewarm tap water. Squeeze out the sponges until the water is clean.
7. Reassemble the plastic holders on the sponges and put them back in the same order as before cleaning.



8. You can now turn the base plate back until you hear a click.
9. The UV part is reassembled and the filter part is placed in the filter container.

Cleaning or replacing quartz glass

If the water turns green even though the UV lamp has been replaced, the quartz glass may need to be cleaned. A dirty quartz glass prevents the UV rays from effectively killing sulfur whales. The quartz glass should be cleaned if necessary or after the season.

1. Close the pump and filter by unplugging.
2. Unscrew the four screws at the top of the cover.
3. The lid with quartz glass and UV tube is carefully pulled up.
4. The black locking ring is unscrewed from the quartz glass socket.
5. Now you can loosen the quartz glass. Be sure to double it o-ring located on top of the quartz glass.
6. If you need to replace a UV-C lamp, it can now be removed and replaced with a new one. Make sure it is a HQ2 55 W / 230 Volt UV tubes with the same watts and voltages.
7. Refit UV lamp and quartz glass. Feel free to grease it double o-ring with a little silicone oil.
8. The locking ring is screwed back.
9. Replace the cover and carefully screw in the four screws.



Consumables

1. UV-C lamp HQ2 55 watt / 230 Volt.
NOTE! You must use the same power on the lamp as the filter delivered with.
2. Filter cartridges complete set.
3. Extra gaskets.



Winter

Post- and pre-season - storage and maintenance

Before winter, the filter **MUST** be taken in from the pond to avoid frost damage. The filter must be backwashed, cleaned and the filter materials must be rinsed through and washed thoroughly. The quartz glass should also be cleaned of dirt and lime. Then empty the filter container of water and clean it. Then place it dry and frost-free. For larger filters, the emptied and cleaned container can instead be covered in place outside, while lids with electronics, quartz glass and filter material are in turn placed dry and frost-free in another place.

If there is water left in the filter itself, it can in the worst case freeze to pieces. Even the quartz glass can freeze or shake a little so that the o-rings are moved or damaged. This can then mean that they no longer hold tightly.

Large temperature fluctuations can either affect the O-rings so that condensation occurs or cause corrosion in the electrical parts.



Spring

Post- and pre-season - storage and maintenance

Before putting the filter into operation for the spring, lubricate all O-rings with silicone grease. The UV-C lamp must be replaced (once a year even if it is lit). There may be plastic residue in the quartz glass, these can only be thrown away. These are parts of a plastic cover that have been worn up by the UV-C rays. The part fulfilled its purpose during the transport of the filter and is no longer needed.

Disassemble the outer and inner container of the filter

It is very rare that you need to separate the inner and outer container of the filter

1. The small screw in the inner container can be unscrewed.
2. The two screws in the inlet plate are removed.
3. Grasp the side hole of the inner container and turn counterclockwise so that the slot comes without the opening in the upper edge of the outer container.
4. Now the inner container can be lifted out. The microchips in the outer container will fall to the bottom of the filter. They must be removed completely before putting the container back.
5. When you reassemble the inner container, put the filter down and refill the filter chips.
6. If you need to change the UV-C lamp, it can now be removed and replaced with a new one. Make sure it is an HQ2 55 W / 230 Volt UV tubes with the same wattage and volt strength.
7. When the cover is to be reassembled, make sure that the oblong "slot" fits into the cut-out of the cover under the drain thread. Then twist the lid into place.



Warranty

BioClear XL pressure filters are covered by a 24-month warranty from the date of purchase. The purchase receipt is valid as proof of guarantee and must always be presented in the event of a complaint. PondTeam decides whether the filter should be repaired or replaced with a new one. The warranty only covers defects that can be traced to the production and the condition of the product at the time of purchase. Damage due to frost and lack of maintenance is NOT covered by the warranty. This also applies to normal wear and tear on consumables such as filter material, UV-C lamp and quartz glass.

A possible manufacturing defects, which can be traced back to the condition of the product at the time of purchase, can be detected at the latest at the first opportunity for disassembly, cleaning and winter storage of the product.

The guarantee does not apply if the unit's electrical parts have been tampered with or the power cable has been shortened, and if the maintenance of the product has not been taken care of.

Troubleshooting

Fault	Possible cause	Measure
<p>The water does not become clear</p>	<p>The filter does not reach full power until after approx. 5 weeks.</p> <p>Too small pump used.</p> <p>The water is very dirty.</p> <p>There are too many fishes.</p> <p>The filter sponges are dirty.</p> <p>The quartz glass is dirty.</p>	<p>▶ Wait until the filter has been in use about 5 weeks.</p> <p>▶ Replace pump.</p> <p>▶ Remove algae, dirt and change some water.</p> <p>▶ A rule is approx. 1 kg fish / 1000 l. water. Feed sparingly.</p> <p>▶ Clean the filter sponges.</p> <p>▶ Remove the UV part and clean the quartz glass.</p>
<p>UV lamp does not light up</p>	<p>Check that there is electricity in the socket.</p> <p>Defective or too old UV lamp.</p> <p>Fault in the electrical connection.</p> <p>The lamp is old.</p>	<p>▶ Check that the earth-leakage circuit breaker is in position P.</p> <p>▶ Replace UV lamp.</p> <p>▶ Check the connections.</p> <p>▶ The lamp must be replaced after about 7,000 hours.</p>
<p>No water from the filter</p>	<p>The function knob is set to "CLEAN".</p> <p>The pump does not pump.</p> <p>The filter outlet adapter is blocked.</p>	<p>▶ Set the knob to the "FILTER" position.</p> <p>▶ Check the electrical connection.</p> <p>▶ Clean the outlet.</p>

Pressure filter

Bioclear XL 40000 • Model 2019

Instructions for use



Waste management

A defect product must Not be thrown in the normal municipal waste, but must be delivered at one of the home municipality's recycling stations.

Pondteam® is a registered trademarks. Other trademarks used in this manual, on our website or in our catalogues are the property of their respective owners. We reserve the right to change specifications of products, App's and recommendations without notice.

Some products are protected internationally by registered design and patents – further patents pending.

Pondteam AB

Kantxegatan 25 L - 21376 Malmo - Sweden • www.pondteam.com

Mail info@pondteam.com

Reservations for printing errors - Copyright Pondteam AB - 6/3/2025

Tryckfilter

Bioclear XL 40000 • Modell 2019

Bruksanvisning



Svensk

VIKTIGT: LÄS NOGA IGENOM BRUKSANVISNINGEN INNAN DU ANVÄNDER DEN HÄR PRODUKTEN. SPARA BRUKSANVISNINGEN FÖR FRAMTIDA BRUK.



Bruksanvisning Bioclear XL 40000

Läs noga igenom bruksanvisningen innan du använder det här filtret första gången. Det är viktigt att du kan såväl säkerhetsbestämmelser som användningen av detta filter. Det bör beaktas att personer som inte satt sig in i bruksanvisningen inte bör arbeta med filtret. Då vi kontinuerligt förbättrar och utvecklar våra produkter, kan tillbehör m.m. skilja sig från bilderna på förpackningarna.

Symboler



Inlopp från pumpen till filtret



Utlopp från filtret till dammen



Backspola filtret

Uppackning

Om du vid uppackning ser skador på filtret eller tillbehör bör du omedelbart meddela återförsäljaren.



Kartongen innehåller

- 1 bioclear tryckfilter med UV
- 3x2 slanganslutningar (40/50 mm slang)
- 2 låsringar
- 3 flatpackningar
- 1 avloppskran med universal slanganslutning och låsring
- 1 bruksanvisning

Vi rekommenderar att Ni tittar på vår hemsida för att se de senaste uppdaterade bruksanvisningarna.

Tekniska data

Modell:	40000
Filtervolym:	170 liter
Max damstrl. utan fisk:	40.000 liter
Max damstrl. med lite fisk:	20.000 liter
Max damstrl. med mycket fisk/koi:	10.000 liter
Max pump kapacitet:	15.000 l/t
In/utlopp:	40/50 mm
UV HQ2 PL:	55 watt
Volt:	230V 50 Hz
Förbindelse m. utv. gänga	2"
Mått (LxBxH):	60x60x85 cm

Användning

Bioclear med inbyggt UV-C är ett biologiskt och mekaniskt tryckfilter avsett för rening av trädgårdsdammar med eller utan fisk. Det är endast avsett för privat bruk.



Säkerhetsbestämmelser

Använd aldrig tryckfiltret om kabel, UV-C lampa eller filterbehållare är skadad. Öppna aldrig UV-C huset eller dess delar om det inte skrivs i den här bruks- anvisningen. Kontrollera att apparatens typskylt överensstämmer med din lokala spänning. Tryckfiltret skall alltid kopplas över en jordfelsbrytare på max 30 mA. Var noga med att eluttag och kontakter alltid är torra.

Om du har några tvivel eller frågor angående de elektriska anslutningarna skall en auktoriserad elektriker rådfrågas.

Ingrepp som avser att manipulera eller ändra i filtrets elektronik, medför fara. Om sådana ingrepp görs, bortfaller all garanti.

Lyft eller bär aldrig filtret i elkabeln. Skydda det mot värme, olja och skarpa kanter. Placera kabeln så att den inte riskerar skadas.

Apparaten får inte användas av barn eller av andra vars fysiska eller mentala kunskaper inte är tillräckliga för att använda apparaten.

Tryckfiltret får aldrig nedsänkas i vatten.

Använd aldrig tryckfiltret om det finns människor i dammen.

Det får inte användas pumpar med större kapacitet än de som filterproducenten rekommenderat. Filtret SKALL regelbundet rengöras. Det får aldrig arbeta med ett vattentryck högre än 0,2 Bar = 2 meters lyfthöjd. Ett högre arbetstryck i filtret kan orsaka att O-ringar inte håller tätt och följdskador uppstår som t.ex. att dammen töms på vatten. Pumpens maximala tryckkapacitet får inte överstiga 0,5 Bar (5 meters lyfthöjd).

Använd bara slangar som är godkända för ett tryck på minst 0,2 Bar. Höjd- skillnaden mellan filterlocket och utloppsslangens högsta punkt får vara max 1 m.

Kontrollera och om nödvändigt rengör filtrets utlopp till dammen regelbundet. Utloppet skall alltid vara fritt så filtret inte riskerar att utsättas för ett tryck högre än 0,2 Bar.

Det kan medföra att filtret börjar läcka och tömma dammen.

Vid allt arbete på tryckfiltret och UV-C enheten skall strömmen alltid brytas genom att elkontakten dras ur eluttaget.

Enhetens UV-C enhet avger farlig ultraviolett strålning. Dessa strålar är farliga för både ögon och hud. UV-C lampan får aldrig hållas tänd utan att vara monterad. Lampan får aldrig vara tänd så du kan se den direkt, utan ska det göras ngn kontroll ska det göras enligt bruksanvisningens instruktioner. Ett tryckfilter med UV-C, skall alltid placeras minst 2 meter från dammen så det inte kan trilla ner i vattnet. UV-C enheten får inte vara tänd om det inte rinner vatten igenom. Sätt därför alltid på pumpen innan UV-C enheten.

Öppna aldrig UV-C-huset eller dess delar såvida det inte rekommenderas direkt i denna bruksanvisning. Ingrepp som avser att manipulera eller ändra i filtrets elektronik, medför fara. Komponenterna måste vara monterade exakt enligt produktion, för att ej skadas eller sluta fungera helt. Om sådana ingrepp i elektroniken görs, bortfaller all garanti.

När filtret är inställt i läge "FILTER" skall rensningsutloppet och ev. utloppsslang som är ansluten, vara stängd med medföljande packning och avstängningskran. Detta för att undgå läckage och tömning av dammen. Kranen fungerar också som en säkerhetsåtgärd om funktionsvredet av misstag sätts i läge "CLEAN". Var noga med att funktionsvredet alltid står i läge "FILTER" under normaldrift när pumpen är igång.

Funktionsvredet skall bara stå i läge "CLEAN" när filtersvamparna rengöres med handtagsfunktionen eller backspolas.

Innan filtret startas skall alltid anslutningarna kollas så de sitter korrekt. Tryckfiltret får inte användas med andra vätskor än vatten. Filtret skall tömmas och placeras frostfritt under vintern (vinterförvaring sidan 8).

Placera alltid tryckfiltret så det inte utsätts för direkt solljus.

Hur fungerar tryckfiltret



Tryckfilter med inbyggt UV-C är ett stängt filtersystem för mekanisk och biologisk rening av trädgårdsdammar.

A: Vatteninlopp

Pumpen skall anslutas till inloppet med en tryckslang.

B. Vortexsystem

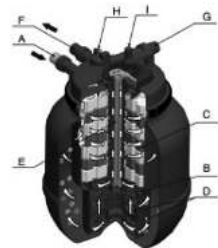
Uppsugna partiklar och slam faller ut genom centrifugal och tyngdkraft.

C: Mekaniskt filter

Smutspartiklar fångas upp av filtersvamparna innan vattnet fortsätter in i filtrets inre kammare.

D: Biologisk rening

Filtersvamparnas porer skapar en stor biologisk yta där de nyttiga nedbrytningsbakterierna får fäste. De gula och blå filtersvamparna har olika portäthet. Det skapar zoner med olika genomsläpplighet och syreinhåll för olika sorters av bakterier. Zoner med en kraftig genomsläpplighet (blå) passar för syrekrävande bakterier som bryter ner ammoniak till nitrit via en nedbrytningsprocess. Zoner med lg genomströmning (gul) passar till bakterier i en anaerob (syrefattig) miljö som reducerar nitrat till kväve.



I Bioclear XL 40000 pumpas vattnet från dammen in i filtret via inlopps-adaptorn (A) och pressas i en virvelrörelse genom filtersvamparna och ner genom biobollarna. Vattnet fortsätter genom UV-C enheten och lämnar filtret genom utloppsadaptorn (F) ut i dammen.

E: UV-C bestrålning av vatten

När vattnet passerar UV-C enheten blir det kortvarigt bestrålat med UV strålar från lampan. Bakterier och algceller dör. När algcellerna där klumpas sväv-alger ihop och kan fångas upp i filtret.

F. Utloppsadaptor till dammen

Från utloppsadaptorn går vattnet tillbaka till dammen via en slang. Utloppsvattnet kan göra ett vattenfall eller direkt till dammen.

G: Rengöringsutloppet

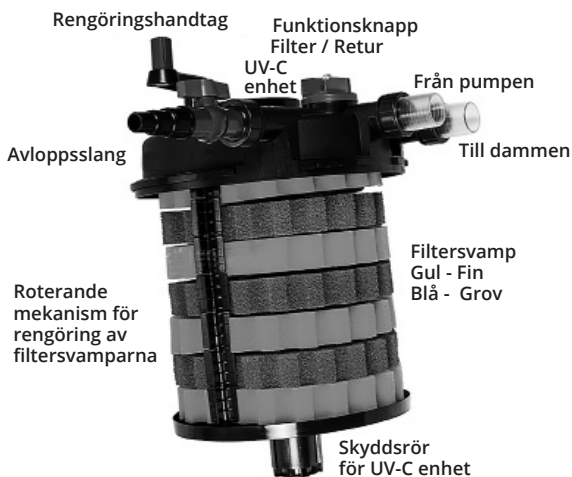
När du backspolar filtret kan en avloppslang för det smutsiga vattnet kopplas på så du kan spola ut vattnet i en plantering eller avlopp. Det näringsrika vattnet är idealisk gödning för dina växter.

H: Funktionsvred

Funktionsvredet skiftar utloppet mellan det normala "FILTER" och backspolningsfunktionen "BACKSPOLNING".

I: Rengöring av filtret med handtaget

Filtersvamparna kan rengöras medan filtret backspolas genom att du snurrar veven. När du använder veven skrapas svamparna av och smutsen skjöls bort med backspolningsfunktionen.



Tryckförluster på grund av höjdskillnader

På www.pondteam.com under "Välj pump" kan du själv räkna ut lämplig pumpstorlek.

Tryckfiltret med inbyggt UV-C skall köras kontinuerligt 24 timmar om dygnet. UV-C lampan skall skiftas efter 7.000 timmar (ca. 1 gång/säsong) för att säkra att UV-C enheten arbetar med optimal effektivitet.



Installation och montering av Bioclear

Välj en lämplig placering. Undvik att filtret placeras i direkt solljus. Det skall i så fall skuggas. Placera filtret så det inte riskerar att vatten svämmar över eller det kan falla ner i dammen. Placera filtret på ett plant underlag t.ex. en stenplatta.

Se till att det finns tillräckligt med utrymme för att arbeta med filtret t.ex. backspola.

Slangdimensioner

Bestäm dig för vilken slangdimension du skall använda och kapa anslutningsadaterna till passande dimension för att undvika tryckförluster. Var noga med att använda slangar som klarar minst 0,2 bar.



Anslutning av slangen till dammen

Bestäm vilken slangdiameter du vill använda och välj lämplig slangadapter. Använd bara slangar som klarar ett tryck på minimum 0,2 bar. Vi rekommendar att du använder 40 eller 50 mm slang. Utloppsslangen får aldrig vara smalare än ingångsslangen.



Avstängning av rengöringsutloppet

När avloppsutloppet inte används skall alltid kranen på avloppet stå i stängt läge. Rengöringsvredet är inte helt tätt och avloppsuttaget kan dropa om inte kranen stängs.



Uppstart av Bioclear tryckfilter

Innan du startar filtret skall du kontrollera att slanganslutningar, filtrets lock och spänning sitter korrekt. Tätningssringen mellan lock och behållare skall smörjas med lite silikonfett innan du spänner låsringen. Funktionsvredet skall vara i läge "FILTER". Det är viktigt att du läst säkerhetsbestämmelserna innan du tar filtret i drift.

1. Sätt på pumpen

OBS! UV-C lampan skall inte tändas innan vattnet rinner genom filtret.

2. När du satt på pumpen kontrollera att alla slanganslutningar är täta

3. Sätt på UV-C enheten

4. Det lilla siktblaset på locket lyser blått när UV-C röret lyser

Det kan ibland vara svårt att se det blå ljuset. Titta då från sidan eller vänta till kvällen när det mörknar.



Rengöring och drift

Tryckfiltret är i det närmaste underhållsfritt men filtersvamparna skall rengöras regelbundet. Då filtret utsätts för slitage pga drift och väderförhållanden så behöver det underhållas regelbundet för att bibehålla sin goda funktion. Slam och smuts kommer med tiden att blockera filtersvamparna som då måste rengöras. Du märker att trycket minskar på utloppet eller oklart vatten kommer ur filtret. Det är en god idé att rengöra filtersvamparna ca var 14:de dag eller om du märker att flödet minskar.

1. Öppna rengöringskranen eller montera dit en slangadapter.
2. Skruva funktionsvredet till läge "BACKSPOLNING".
3. Veva på handtaget uppe på locket. På så sätt skrapas smutsen loss från filtersvamparna och de rengöras mekaniskt. Fortsätt veva så länge vattnet är smutsigt.
4. När filtersvamparna är rengjorda kommer klart vatten ut från avloppsslangen. Vrid då tillbaka funktionsvredet till inställningen "FILTER".
5. Stäng avloppskranen.
6. Filtret arbetar nu normalt igen. Kontrollera anslutningarna. Minst en gång om året SKALL filtret monteras isär, rengöras och underhållas. Så som att O-ringar bytas eller smörjes med silikonfett, för att fortsätta tätta på bästa sätt (Pondteam har set som innehåller nödvändiga delar).

Tvätta filtersvamparna

Om vattenflödet minskar och det inte hjälper med att rensa genom rengöringsveven måste du ta ur svamparna och tvätta dem manuellt eller sätta dit nya. Använd aldrig någon form av rengöringsmedel, då detta kommer döda de nyttiga mikroorganismerna som finns i filtersvamparna. Montera alltid filtersvamparna så att de fyller hela utrymmet mellan den översta och understa top-/bottenplatta.

Rengöring / byte av filtersvampar

1. Montera av spänningen mellan behållaren och locket. Även lössprinten.
2. Lyft ur filterdelen från behållaren. Placera det liggande på ett passande ställe.
3. Montera bort skyddsöret från UV-delen.
4. Bottenplattan kan nu försiktigt tas bort från mitten. (UV-delen) och vridas åt sidan.
5. Nu kan du ta bort filtersvamparna. Plasthållarna mitt på svamparna är lätta att ta bort. Locket lyfts försiktigt bort från de små knäppena som håller det samlat.
6. Filtersvamparna sköljs i dammvatten eller ljummet kranvatten. Krama ur svamparna till vattnet är rent.
7. Montera tillbaka plasthållarna på svamparna och sätt tillbaka i samma ordning som innan rengöringen.
8. Du kan nu vrida tillbaka bottenplattan till du hör ett klick.
9. UV-delen monteras tillbaka och filterdelen placeras i filterbehållaren.



Rengöring eller byte av kvartsglas

Om vattnet blir grönt trots att UV-lampan är bytt kan kvartsglaset behöva rengöras. Ett smutsigt kvartsglas hindrar UV-strålarna att effektivt döda svävalger. Kvartsglasets skall rengöras vid behov eller efter säsongen.

1. Stäng pumpen och filtret genom att dra ur kontakterna.
2. De fyra skruvarna överst på locket skruvas ur.
3. Locket med kvartsglas och UV-rör dras försiktigt upp.
4. Den svarta låsringen skruvas ur från kvartsglasfattningen.
5. Nu kan du lossa kvartsglasets. Var noga med den dubbla o-ring som sitter överst på kvartsglasets.
6. Skall du byta UV-C-lampa kan den nu tas bort och ersättas med ett nytt. Var noga med att det är ett HQ2 55 W / 230 Volt UV-rör med samma watt och voltstyrka.
7. Montera tillbaka UV-lampa och kvartsglas. Fetta gärna in den dubbla o-ringen med lite silikonolja.
8. Låsringen skruvas tillbaka.
9. Locket sätts tillbaka och de fyra skruvarna skruvas försiktigt tillbaka.



Förbrukningsartiklar

1. UV-C-lampa HQ2 55 watt / 230 Volt.
OBS! Du måste använda samma styrka på lampan som filtret lev. med.
2. Filterpatroner komplett set.
3. Extra packningar.



Vinter

Efter- och försäsong - förvaring och underhåll

Innan vintern SKALL filtret tas in från dammen för att undgå frostsador. Filtret ska backspolas, rengöras och filtermaterialen ska spolas igenom och tvättas ordentligt. Kvartsglasets ska även det rengöras från smuts och kalk. Töm därefter filterbehållaren på vatten och rengör den. Placera sedan den torrt och frostfritt. För större filter kan den tömda och rengjorda behållaren istället täckas över på plats ute, medan lock med elektronik, kvartsglas samt filtermaterial i sin tur placeras torrt och frostfritt på annan plats.

Om det finns vatten kvar i själva filtret kan det i värsta fall frysa sönder. Även kvartsglasets kan frysa sönder eller rubbas lite så att o-ringarna flyttas eller skadas. Detta kan då medföra att de ej håller tätt längre.

Stora temperatursvängningar kan antingen påverka O-ringarna så att kondens uppstår eller orsaka korrosion i de elektriska delarna.



Vår

Efter- och försäsong - förvaring och underhåll

Innan filtret tas i drift för säsongen, skall alla O-ringar smörjas med silikonfett. UV-C lampan skall bytas (1 gång/år även om den lyser). Det kan ligga plastrester i kvartsglasat, dessa kan bara kastas. Det är delar av ett plastskydd som slitits upp av UV-C strålarna. Delen fyllde sitt syfte under filtrets transport och behövs ej längre.

Montera isär filtrets ytter och innerbehållare

Det är mycket sällan du behöver skilja filtrets inner och yttrebehållare

1. Den lilla skruven som sitter i innerbehållarens kan skruvas ur.
2. De två skruvarna i inloppsplattan tas bort.
3. Tag fatt i innerbehållarens sidohål och vrid motsols så att slitsen kommer utan öppningen i ytterbehållarens överkant.
4. Nu kan innerbehållaren lyftas ur. Microchipsen i ytterbehållaren kommer falla ner i botten av filtret. De måste tas ur helt innan behållaren sätts tillbaka.
5. När du monterar tillbaka innerbehållaren, lägger du filtret ner och fyller på filterchipsen igen.
6. Skall du byta UV-C-lampa kan den nu tas bort och ersättas med ett nytt. Var noga med att det är ett HQ2 55 W / 230 Volt UV-rör med samma watt och voltstyrka.
7. När locket skall monteras tillbaka, skall du vara noga med att det avlånga "slitsen" passar i lockets utskärning under avloppsgängen. Vrid därefter locket på plats.



Garanti

BioClear XL tryckfilterna omfattas av en garanti på 24 månader från inköpsdatum. Inköpskvittot gäller som garantibevis och skall alltid uppvisas i händelse av reklamation. PondTeam avgör om filtret skall repareras eller ersättas med ett nytt. Garantin omfattar endast fel som kan härledas till produktionen och produktens skick vid inköpstillfället. Skador som beror på frost och bristande underhåll omfattas INTE av garantin. Detta gäller även normalt slitage på förbrukningsdelar som t.ex filtermaterial, UV-C lampa och kvartsglas.

Ett ev. produktionsfel, som kan spåras tillbaka till produktens skick vid köpet, kan upptäckas senast vid första tillfället för demontering, rengöring och vinterförvaring av produkten.

Garantin gäller ej om det gjorts ingrepp i enhetens elektriska delar eller elkabeln kortats, samt om produktens underhåll ej skötts.

Felsökning

Fel	Möjlig orsak	Åtgärd
Vattnet blir inte klart	Filtret når inte full effekt förrän efter ca. 5 veckor. För liten pump används. Vattnet är väldigt smutsigt. Det finns för mycket fisk. Filtersvamparna är smutsiga. Kvartsglaset är smutsigt.	▶ Avvakta till filtret varit i bruk cirka 5 veckor. ▶ Byt pump. ▶ Ta bort smuts, alger och byt lite vatten. ▶ En regel är ca. 1 kg fisk/1000 l. vatten. Mata sparsamt. ▶ Rengör filtersvamparna. ▶ Montera bort UV-delen och rengör kvartsglaset.
UV-lampan lyser inte	Kontrollera att det finns el i uttaget. Defekt eller för gammal UV-lampa. Fel i elanslutningen. Lampan är gammal.	▶ Kontrollera att jordfelsbrytaren står i läge P. ▶ Byt UV lampa. ▶ Kolla anslutningarna. ▶ Lampan skall bytas efter cirka 7.000 timmar.
Inget vatten från filtret	Funktionsvredet står på "CLEAN". Pumpen pumpar inte. Filtrets utloppsadapter är blockerad.	▶ Sätt vredet i läge "FILTER". ▶ Kontrollera elanslutningen. ▶ Rengör utloppet.

Tryckfilter

Bioclear XL 40000 • Modell 2019

Bruksanvisning



Avfallshantering

En defekt pump får inte slängas bland ordinarie hushållssopor utan skall lämnas in på en av kommunen bestämd plats för elmateriel tex en miljöstation. Pondteam är med i elkretsen för återvinning av elavfall och REPA för återvinning av emballage.

Pondteam® är ett registrerat varumärke. Andra varumärken som används i manualen eller på hemsidan tillhör respektive företag. Vi förbehåller oss rätten att ändra produkter, specifikationer, appar och rekommendationer.

Pondteam AB

Kantxegatan 25 L - 21376 Malmö - Sverige • www.pondteam.com

Tlf. 0045 44669909 • Mail info@pondteam.com

Reservation för tryckfel - Copyright Pondteam AB - 6/3/2025

Tryckfilter

Bioclear XL 40000 • Model 2019

Brugsanvisning



VIGTIGT: Læs venligst denne brugsanvisning grundigt før anvendelse af produktet. Gem brugsanvisningen til fremtidig brug.



Brugsanvisning Bioclear XL 40000

Læs denne brugsanvisning nøje igennem inden du tager trykfilteret i brug første gang. Det er vigtigt, at du sætter dig ind i såvel sikkerhedsbestemmelserne som reglerne for korrekt brug af dette filter.

Da vi hele tiden forbedrer og videreudvikler vore produkter kan tilbehør m.m. afvige fra billeder på emballagen.

Symboler



Vandindløb fra pumpen til filtret



Vandudløb fra filtret til bassinet



Returskyllning af filter

Leveringsomfang

Hvis du ser skader på filteret eller tilbehøret, når du pakker ud, skal du underrette straks forhandleren.



Kartongen innehåller

- 1 bioclear XL trykfilter med UV
- 3x2 slangestuds (til 40/50 mm slange)
- 2 unioner
- 3 fladpakninger
- 1 hane m. universal slangestuds og union
- 1 brugsanvisning

Vi anbefaler, at du tjekker vor hjemmeside for de senest opdaterede manualer.

Tekniske data

Model:	40000
Filtervolumen:	170 liter
Max bassinstr. uden fisk:	40.000 liter
Max bassinstr. med guldfisk:	20.000 liter
Max bassinstr. med Koi/mange fisk:	10.000 liter
Max gennemløb:	15.000 l/t
Ind-/udløb:	40/50 mm
UV HQ2 PL:	55 watt
Volt:	230V 50 Hz
Tilslutning udv.gevind:	2"
Mål (LxBxH):	60x60x85 cm

Anvendelse

Bioclear XL med indbygget UV-C enhed er et trykfilter til biologisk og mekanisk filtrering af normalt havedamsvand med en temperatur mellem +4° C og 35° C. Dette trykfilter er udelukkende designet til privatbrug for rensning af havedamme med eller uden fisk.



Sikkerhedsbestemmelser

Anvend ikke trykfilteret hvis kabel, UV-C lampe eller filterspand er beskadiget. Kontroller altid at apparatets typeskilt svarer til din lokale el-spænding. Trykfilteret skal forbindes til el-nettet over et HFI relæ med afbryderstrømstyrke på max 30 mA.

Sørg for at stik og stikkontakt altid er tørre.

Hvis du er det mindste i tvivl eller har spørgsmål ang. de elektriske tilslutninger, bør du søge hjælp hos en autoriseret elektriker.

Ethvert forsøg på at manipulere eller ændre de elektriske komponenter i filteret er farligt og vil medføre bortfald af enhver garanti.

Løft eller træk aldrig trykfilteret i kablet og beskyt kablet mod varme, olie og skarpe kanter. Placer kabel så det ikke ligger i vejen og ikke er i fare for at blive beskadiget.

Udstyret må ikke anvendes af børn eller af andre, hvis fysiske eller mentale kundskaber ikke er tilstrækkelige for at kunne forstå og anvende udstyret.

Anvend aldrig trykfilteret hvis der er personer i vandet.

Der må ikke anvendes pumper med større ydelse end anvist af producenten og filteret SKAL løbende renses. Filteret må derfor aldrig køre med et højere driftstryk end 0,2 Bar = 2 meter løftehøjde. Et højere driftstryk vil forårsage utætte O-ringe og følgeskader som f.eks. at filteret bliver utæt og bassinet tømmes for vand.

(Pumpens maksimale tryk må ikke overstige 0,5 BAR. (5 meter løftehøjde)

Anvend kun slanger der er godkendt til mindst 0,2 BAR.

Højdeforskellen mellem filterlåget og det trykfri udløbspunkt må derfor max. være 1 meter.

Kontroller og om nødvendigt rengør filterets udløb til bassinet regelmæssigt. Afløbet skal altid være frit, da enhver blokering vil medføre at filteret udsættes for et større tryk end 0,2 BAR.

Ved ethvert arbejde med pumpe, trykfilter og UV-C enhed skal strømmen være afbrudt og stikket trukket ud af stikkontakten.

Udstyrets UV-enhed afgiver farlige ultraviolette stråler. Disse stråler er farlige både for øjne og hud. Man må aldrig have lampen tændt udenfor lyskammeret. Man må aldrig se direkte ind på UV-røret når dette er tændt. Et trykfilter med UV-C enhed skal altid placeres mindst 2 meter fra bassinkanten, så der ikke er fare for at det væltes ned i bassinet. UV-C enheden bør ikke være tændt, hvis der ikke løber vand igennem systemet. Tænd altid pumpen inden UV-C enheden.

Åben aldrig UV-C huset eller dets dele medmindre det direkte er anbefalet i denne brug-sanvisning.

Manipulering og ændring i de elektriske komponenter kan være farligt og komponenterne skal samles præcist for ikke at blive beskadiget/ødelagt. Ethvert sådant indgreb i de elektriske komponenter vil medføre bortfald af enhver garanti.

Når trykfilteret er indstillet til "FILTER" skal rensningsudløbet og enhver afløbsslange, der er tilsluttet, være lukket med hanen og den medfølgende fladpakning for at undgå en tømning af bassinet. Samtidig virker hanen også som en sikkerhed i tilfælde af at funktionsknappen ved et uheld bliver slået over på "Returskyl". Vær sikker på at funktionsknappen altid står på "FILTER" når pumpen kører. Funktionsknappen må kun stå på "Returskyl" når man renser filtersvampene med håndtagets drejefunktion eller når man returskyller filtret.

Før man starter filtret skal man altid tjekke at forbindelsesslanger m.m. sidder korrekt. Trykfilteret må aldrig anvendes i andre væsker end vand. Filteret bør afmonteres, tømmes og stilles indendørs når det er frostvejr (se under Vinteropbevaring side 8). Placer altid trykfilteret på et sted, hvor der ikke er direkte sollys.

Hvordan virker trykfilteret



Trykfilteret med indbygget UV-C enhed er et lukket filtersystem til mekanisk og biologisk filtrering af vand i havebassiner.

A: Vand indløb

Pumpen skal forbindes til vandindløbet med en trykslange.

B. Vortex system

Opslæmmede partikler og slam bliver bundfældet ved centrifugal- og tyngdekraften.

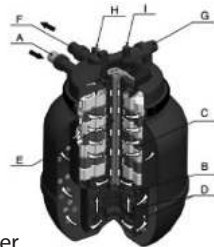
C: Mekanisk filter

Snavspartikler fanges på ydersiden af filtersvampene før vandet løber gennem hele filterets højde fra ydersiden ind i filterets indre kammer.

D: Biologisk rensning

Filtersvampenes porer danner en stor indre overflade, som mikroorganismene kan kolonisere. De gule og de blå filtersvampe har forskellig størrelse og tæthed. Dette skaber zoner, hvor vandet bevæger sig med forskellig fart. Zoner med en kraftig vandbevægelse (blå filtersvampe) passer til kolonisation af mikroorganismer der omdanner ammoniak til nitrat via en nitrifikation. Zoner med en svag vandbevægelse (gule filtersvampe) understøtter koloniseringen af anaerobiske mikroorganismer der reducerer nitrat til kvælstof (denitrifikation).

I Bioclear XL 30000 pumpes vandet fra bassinet ind i filtret ad indgangsstudsden (A) og løber i en hvirlvende bevægelse ind gennem filtersvampene og ned til filterkassetten med biobolde. Herfra presses vandet op gennem UV-C enheden og forlader filtret gennem udløbsstudsden (F).



E: UV-C bestråling af vandet

Medens vandet strømmer ud bliver det kortvarigt udsat for en ultraviolet bestråling fra UV-C lampen. Dette dræber kimceller og bakterier og forhindrer alger. Når algerne dør klumper de sammen og kan opfanges af filtret.

F: Udløbsstuds til bassin

Fra udløbsstudsens løber vandet tilbage i bassinet via en slange, et vandløb eller lignende.

G: Rengøringsstuds

Når man returskyller filtret kan en afløbslange forbindes til rengøringsstudsens, så man kan lede vandet ud i kloakken eller til et blomsterbed. Det næringsrige vand er ideelt gødning til dine planter.

H: Funktionsknop

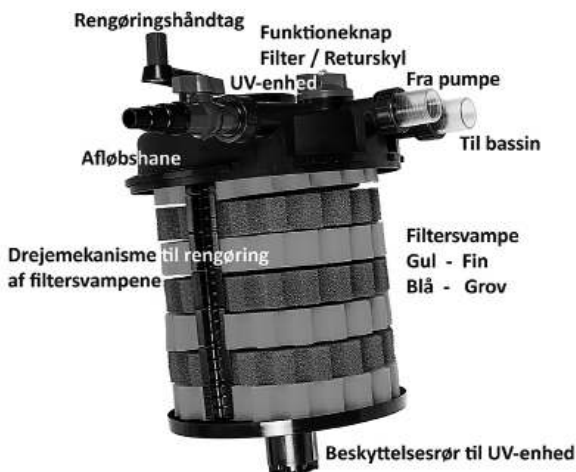
Funktionsknappen anvendes til at skifte mellem det normale udløb til bassinet (FILTER) og rengøringsfunktionen (Returskyl).

I: Rengøring af filtrene med håndtagsfunktionen

Filtersvampene kan rengøres mens filtret returskylles ved at anvende håndtaget som tryk-ker filterpladerne sammen. Når håndtaget drejes, presses svampene sammen og snavs presses ud, så returskyllingen kan fjerne det fra filtret.

Tryktab på grund af højdeforskel

På www.pondteam.com under "Valg af pumpe" kan du selv udregne en passende pumpe-størrelse.



Trykfiltret med indbygget UV-C enhed skal køre kontinuerligt 24 timer i døgnet. UV-C lampen skal udskiftes efter 7000 timer (passer cirka med en sæson), for at sikre at UV-C enheden arbejder med optimal effektivitet.



Installation og opstilling af trykfiltret

Vælg en passende placering til trykfiltret. Undgå at placere filtret i direkte sollys. Hvis dette ikke kan undgås skal filtret skygges af. Placer filtret så det er i sikkerhed for evt. oversvømmelse. Sørg for at det ikke kan falde i bassinet. Placer filtret på en fast og vandret flade evt. en flise. Sørg for at der er uhindret adgang til at arbejde med filtret f.eks. ved rengøring af filtersvampene.

Forbindelsesslanger

Bestem dig for hvilken slangediameter du vil anvende og monter den dertil passende slangestuds på ind- og udløbet. Anvend kun slanger, der er godkendt til et tryk på mindst 0,2 BAR.



Tilslutning af vandtilførsel

Monter unionen på den valgte slangestuds. Monter slangen på studsene og sæt et slangebånd på. Indsæt fladpakningen i Unionen og skru den fast på in-dløbsstudsene. Vi anbefaler, at du anvender slanger med en diameter på 40 eller 50 mm.



Aflukning af rengøringsstudsene

Rengøringsstudsene kan lukkes ved hjælp af unionen med den medfølgende lukkehane på rengøringsstudsene. Bemærk at drejeknappen, som omdirigerer vandet ved rensning ikke er en kuglehane, som lukker 100%, men blot er en spærring der omdirigerer vandet. En del af det snavsede vand vil derfor kunne løbe tilbage til bassinet, hvis der anvendes afløbsslange med en for lille diameter. Vi anbefaler størst mulig diameter (50 mm / 2").



Opstart af Bioclear XL trykfilter

Før enhver opstart af filtret skal man kontrollere at slangeforbindelser, filtrets låg, lågets spændering og dens klinke sidder korrekt. Tætningsringen mellem låg og beholder skal smøres med lidt silikonefedt inden du spænder låseringen. Funktionsknappen skal være sat på "FILTER" symbolet. Det er yderligere meget vigtigt at du læser og følger sikkerhedsbestemmelserne inden opstarten.

1. Tænd for pumpen

OBS.: UV-C lampen bør ikke tændes, hvis der ikke løber vand gennem enheden.

2. Når pumpen er tændt, tjekkes efter, om alle forbindelser er vandtætte.

3. Tænd for UV-enheden

4. Det lille sigtglas på dækslet lyser blåt når UV-C røret lyser.

Det kan indimellem være svært at se om det blå lyser - prøv at kikke fra siden eller vent til det bliver lidt mørkere.



Rengøring og vedligehold af trykfiltret

Trykfiltret er i store træk vedligeholdelsesfrit, men filtersvampene skal dog rengøres regelmæssigt. Filteret udsættes gennem drift og sæsonudsving for påvirkninger og slitage, som kræver løbende vedligeholdelse.

Opslæmmede materialer og snavs vil med tiden fylde filtersvampene, og dette vil efterhånden reducerer filterets effektivitet. Hvis trykket i udløbet falder, eller hvis der ligefrem kommer snavset vand ud af filtret, skal filtret renses. Det er en god ide at rengøre filtersvampene ca. hver 14. dag, eller hvis du bemærk er, at gennemløbet mindskes.

1. Monter en afløbsslange på slangestudsene og åbn for rengøringsshanen.
2. Drej funktionsknappen til stillingen "Returskyl".
3. Drej på håndtaget øverst på låget. Dette trykker svampene sammen og rengør dem mekanisk. Bliv ved til udløbsvandet er rent.
4. Når filtersvampene er rengjort, vil du se rent vand løbe ud af udløbsslangen. Drej funktionsknappen tilbage til stillingen "FILTER".
5. Luk for rengøringsshanen.
6. Filtret arbejder nu normalt igen. Husk at kontrollere tilslutningerne. Mindst en gang om året SKAL filteret afmonteres, rengøres og serviceres med skift /smøring af O-ringe med silikonefedt. (Pondteam har servicekit, som indeholder de nød-vendige dele).

Vask af filtersvampene

Hvis vandflowet er for lille på grund af snavsede svampe og det ikke hjælper at rense dem med håndtaget, skal svampene vaskes eller udskiftes. Anvend ikke nogen form for rengøringsmidler, da dette vil dræbe mikroorganismene i svampene. Monter filtersvampene så de udfylder hele rummet mellem den øverste og den nederste låseplade.

Rengøring / udskiftning af filtersvampene

1. Afmonter spænderingen, der fastholder filtrets låg.
2. Træk filterdelen op fra beholderen og placer det sideværts på et passende sted.
3. Afmonter beskyttelsesrøret til UV-delen.
4. Bundpladen kan nu forsigtigt frigøres fra midtersøjlen (UV-delen) og drejes til siden.
5. Nu kan filtersvampene afmonteres. Plastholderne midt på svampen er let at fjerne. Låget trækkes forsigtigt fri af de små paller, der holder delene samlet.
6. Filtersvampene skylles i en spand bassin vand eller evt. lunkent ledningsvand. Pres svampene fast sammen adskillige gange til vandet, der presses ud er helt rent.
7. Herefter monteres plastholderne igen på svampene og disse monteres i samme rækkefølge som før rengøringen.
8. Bundpladen kan nu drejes på plads igen og trykkes fast til der høres et klik.
9. UV-delens beskyttelsesrør monteres og filterdelen kan igen placeres i filterbeholderen.



Rengøring og/eller udskiftning af kvartsglas og UV-C rør

Hvis vandet bliver grønt på trods af at UV-røret nylig er udskiftet kan det skyldes, at kvartsglasset trænger til at rengøres. Et snavset kvartsglas forhindrer UV-strålerne i effektivt at dræbe algerne. Quartsglasset skal rengøres ved behov eller efter sæsonen.

1. Sluk for pumpe og UV-C enhed og træk stikket ud.
2. De fire skruer på dækslet øverst på filtrets låg skrues ud.
3. Dækslet med kvartsglas og UV-rør trækkes forsigtigt op.
4. Den sorte omløber skrues af kvartsglas-fatningen.
5. Nu kan kvartsglasset trækkes af – pas på den dobbelte o-ring, der sidder øverst på kvartsglasset.
6. Hvis UV-C røret skal udskiftes, kan det nu trækkes op af fatningen og erstattes med et nyt af samme type.
7. Herefter monteres UV-rør og kvartsglas igen, smør gerne den dobbelte O-ring med lidt silikoneolie inden montering.
8. Omløberen skrues på plads igen.
9. Dækslet med UV-rør og kvartsglas monteres forsigtigt og de fire skruer skrues på plads igen.



Forbrugsvarer

1. UV-C lampe HQ2 55 watt / 230 Volt.
BEMÆRK! Du skal bruge samme effekt på lampen som filterlev. med.
2. Filterpatroner komplet sæt.
3. Ekstra pakninger.



Vinter

Sæsonmæssig vedligeholdelse og opbevaring

Før der er risiko for frost SKAL filteret altid gøres klar til vinteren. Filteret renses, returskylles og filtermaterialerne skylles omhyggeligt igennem, ligesom kvartsglasset renses. Herefter tømmes og rengøres filterbeholderen og placeres tørt og frostfrit. For større filtre kan den tømte og rensede beholder overdækkes og indmaden placeres tørt og frostfrit i separat beholder.

Såfremt der står vand tilbage i filteret, kan denne i værste fald frostsprænge. Quartsglasset kan knække eller skubbes opad, så O-ringe ikke tætnes eller bliver beskadiget.

Store temperaturudsving kan endvidere forårsage påvirkninger af O-ringe og resultere i kondens, som kan give korrosion i de elektriske dele.

En evt. funktionsfejl, som kan tilbageføres til produktets tilstand ved købet, vil senest kunne opdaget ved nedtagning, rensning og vinteropbevaring af produktet.



Forår

Sæsonmæssig vedligeholdelse og opbevaring

Før filteret startes op i foråret skal O-ringe efterses og smøres med silikone fedt og UV-røret skal udskiftes. Der kan ligge plastrester i kvartsglasset, der stammer fra oprindelige afstands-stykker/transportsikring, som er blevet nedbrudt af UV-lyset. Disse kan blot fjernes og har ingen driftsmæssig betydning.

Skil filterets ydre og indre beholder ad

Det er meget sjældent, at du skal adskille filterets indre og ydre beholder

1. Den lille skrue i den indvendige beholder kan skrues af.
2. De to skruer i indløbspladen fjernes.
3. Tag fat i sidehullet på den indvendige beholder og drej mod uret, så slidsen kommer uden åbningen i den ydre beholders øverste kant.
4. Nu kan den indvendige beholder løftes ud. Mikrochipsene i den ydre beholder falder til bunden af filteret. De skal fjernes helt, før beholderen sættes tilbage.
5. Når du samler den indvendige beholder igen, skal du sætte filteret ned og påfylde filterspånernerne.
6. Skal du skifte UV-C lampen, kan den nu fjernes og udskiftes med en ny. Sørg for, at det er en HQ2 55 W / 230 Volt UV-rør med samme watt- og voltstyrke.
7. Når dækslet skal samles igen, skal det sikres, at den aflange "slids" passer ind i udsikringen af dækslet under afløbsgevindet. Drej derefter låget på plads."



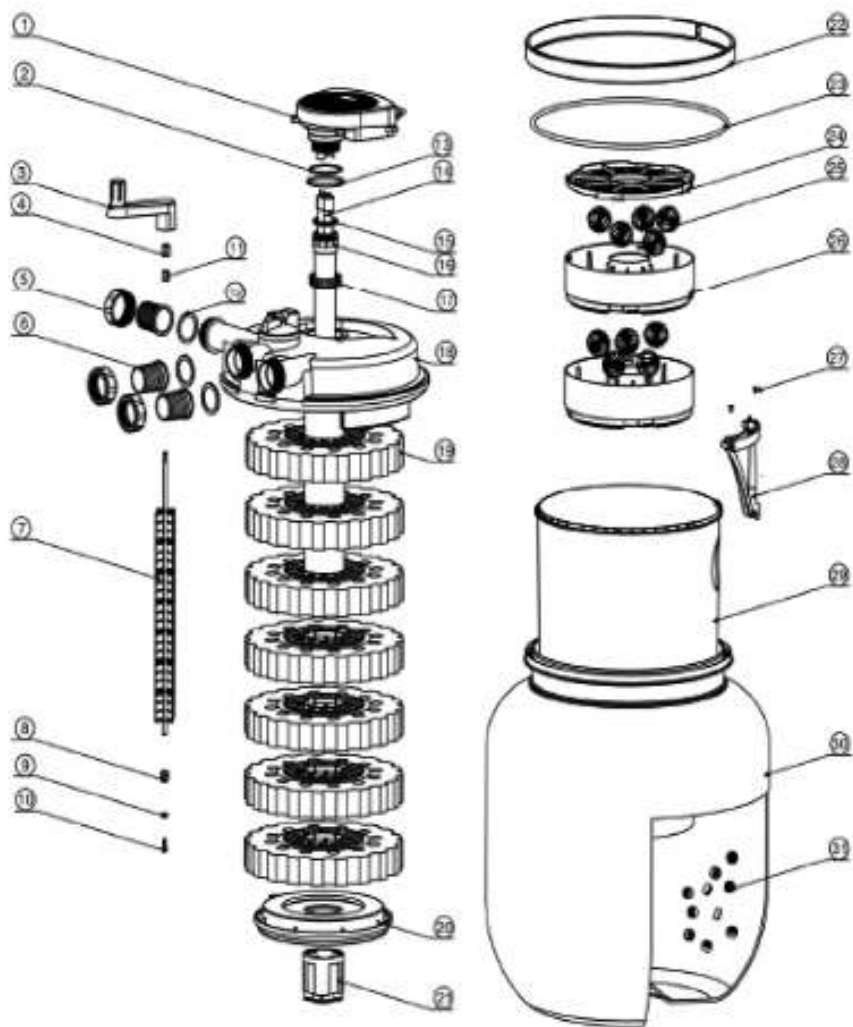
Garanti

Bioclear XL trykfiltrene er dækket af en garanti på 2 år. Indkøbskvittering gælder som garantibevis. Ved garanti-reklamation skal kopi af indkøbskvittering forevises. Leverandøren afgør om filtret skal repareres eller ombyttes. Garantien omfatter udelukkende fejl, som kan henføres til produktionen og produktets tilstand ved køb. Skader som skyldes frost og manglende vedligehold er IKKE omfattet af garantien og UV-rør, kvartsglas, filtermedie og andre sliddele er aldrig omfattet. En evt. funktionsfejl, som kan tilbageføres til produktets tilstand ved købet, vil således senest kunne opdaget ved nedtagning, rensning og vinteropbevaring af produktet.

Garantien gælder ikke hvis kablet er afkortet, der har været indgreb i filtrets elektriske dele eller hvis filtret har været udsat for grov misligholdelse.

Felsökning

Fejl	Mulig grund	Handling
Vandet bliver ikke klart	<p>Filtret har ikke været i brug længe.</p> <p>Pumpen er for lille.</p> <p>Vandet er ekstremt snavset.</p> <p>Der er for mange fisk.</p> <p>Filtersvampene er snavsede.</p> <p>Quartsrøret er snavset.</p>	<p>► Fuld effektivitet af biologisk filtrering opnås først efter nogle uger.</p> <p>► Udskift pumpen.</p> <p>► Fjern alger og snavs fra bassinet og skift vand.</p> <p>► Højest ca. 1 kg fisk per 1000 l. vand.</p> <p>► Rengør filtersvampene.</p> <p>► Udskift quartsrøret.</p>
UV lampen lyser ikke	<p>Der er slukket for UV.</p> <p>Defekt UV lampe.</p> <p>Fejl i el-forbindelsen.</p> <p>Lampen er udbrændt.</p>	<p>► Tilslut og tænd.</p> <p>► Udskift UV lampen.</p> <p>► Tjek de elektriske Installationer.</p> <p>► Skal skiftes efter ca. 7000 timers drift.</p>
Intet vand fra filter til bassin	<p>Funktionsknappen står på "Returskyl".</p> <p>Der er ikke tændt for pumpen.</p> <p>Filtrets udløbsstuds er blokeret.</p>	<p>► Skift funktionsknappen til "FILTER"</p> <p>► Tænd for pumpen.</p> <p>► Rens udløbsstuds.</p>



Location clamping ring when locking filter · Placering spændring ved låsning af filter · Lukning af filter med placering af spændring.

Spare parts list/Reservdelstila/ Reservedelsliste

No.	Dansk	Svensk	English	Art.no.
1.	El-enhed	El-enhet	Electrical unit	40796
2.	Dobbelt O-ring el-enhed	Dubbel O-ring el-enhet	Double O-ring elec. unit	40807
3.	Rengøringshåndtag	Rengöringsvev	Cleaning cloth	40852
4.	Akselpakning	Axelpackning	Shoulder gasket	40867
5.	Omløber	In- och utlopp	Inlet and outlet	40850
6.	Ind- og udløb	Kvartsglas	Quartz glass	40797
7.	Rengøringsrotor	Rengöringsrotor	Cleaning rotor	41948
8.	Nedre leje	Nedre lager	Lower bearing	
9.	Pakning	Packning	Packing	
10.	Skruer	Skruvar	Screws	
11.	Øverste leje	Övre lager	Upper layer	
12.	Pakning ind/udløb	Packning in/utlopp	Packing in / outlet	40777
13.	Pakning	Packning	Packingg	
14.	UV-Lampe	UV lampa	UV lamp	40417
15.	Dobbelt O-ring kvartsglas	Dubbel O-ring kvartsglas	Double O-ring quartz glass	40807
16.	Kvartsglas	Kvartsglas	Quartz glass	40797
17.	Omløber kvartsglas	Låsring kvartsglas	Locking ring quartz glass	40862
18.	Låg	Lock	Lid	40868
19.	Filtersvamp sæt (7 stk)	Filtersvamp set (7 st)	Filter sponge set (7 pcs)	40714
20.	Låseplade	Låsplatta	Locking plate	
21.	Beskyttelsesrør	Skyddsror	Protective pipes	
22.	Spændebånd	Spännring	Tension ring	40856
23.	O-ring beholder	O-ring behållare	O-ring container	40713
24.	Låg filterbox	Lock filterbox	Lock filter box	
25.	Biobolde	Biobollar	Bioballs	
26.	Filterbox	Filterbox	Filterbox	
27.	Skruer	Skruv	Screw	
28.	Vandindløb	Vatteninlopp	Water inlet	
29.	Inderbeholder	Innerbehållare	Inner container	
30.	Filterbeholder	Filterbehållare	Filter container	40855
31.	Kaldnes Micro media	Kaldnes Micro media	Kaldnes Micro media	40574
	Filtersvampeholder	Filtersvamphållare	Filter sponge holder	30836
	Tynd O-ring el-del	Tunn o-ring till elenhet	Thin o-ring for elec. unit	40798
	Fittings komplet	Tilbehørspåse komplett	Accessory bag complete	40850
	Renoveringssæt	Renoveringssats	Renovation kit	41903

English

Svensk

Dansk



Art.no 40853
Låg.
Lock.
Lock.



Filterbox med biobolde.
Filterbox med biobollar.
Filterbox med biobollar.



Art.no 40714
Filtersvampesæt 7 stk.
Filtersvampset 7 st.
Filtersvampset 7 st.



Art.no 40713
O-ring til låg.
O-ring till lock.
O-ring till lock.



Art.no 40855
Filterbeholder.
Filterbehållare.
Filterbehållare.



Biobolde.
Biobollar.
Biobollar.



Art.no 40798
Tynd O-ring til el-enhed.
Tunn O-ring till el-enhet.
Tunn O-ring till el-enhet.



Art.no 40856
Spændering til låg.
Spännring till lock.
Spännring till lock.



Fin filtersvamp (GUL).
Fin filtersvamp (GUL).



Korrekt placering af o-ring.
Korrekt placering av o-ring.
Korrekt placering av o-ring.



Låsemekanisme.
Låsmekanism.
Låsmekanism.



Grov filtersvamp (BLÅ).
Grov filtersvamp (BLÅ).



Lukning af filter med
placering af spændering.
Placering spännring vid
lösning av filter.
Placering spännring vid
lösning av filter.



Låsepal til spændering.
Låssprint till spännring.
Låssprint till spännring.



Låseplade.
Låsplatta.
Låsplatta.



Beskyttelsesrør til UV.
Skyddskåpa till UV.
Skyddskåpa till UV.



Art.no 30836
Filterholder.
Filterhållare.
Filterhållare.



Art.no 000000
Kvartsglasholder.
Kvartsglashållare.
Kvartsglashållare.



Art.no 40797
Kvartsglas med
omløber.
Kvartsglas med
låsring.
Kvartsglas med
låsring.



Art.no 40417
UV-C rør HQ2
- 55 watt.
UV-C rør HQ2
- 55 watt.
UV-C rør HQ2
- 55 watt.



Art.no 41948
Rengøringsrotor
med leje.
Rengøringsrotor
med lager.
Rengøringsrotor
med lager.



Art.no 40862
Omløber til kvarts-
glas.
Låsring till kvarts-
glas.
Låsring till kvarts-
glas.



Art.no 40807
O-ringsæt (2 stk)
kvartsglas
O-ringset till
kvartsglas (2st)
O-ring quartz glass
(2 pc)



Art.no 40777
Fladpakning
slangekopling.
Flatpakning
slangekoppling.
Flatpakning
slangekoppling.



Art.no 40864
Omløber
slangekopling.
Låsring
slangekoppling.
Låsring
slangekoppling.



Art.no 40852/40867
Håndtag til rengøring,
med pakning.
Vev för rengöring,
med pakning.
Vev för rengöring,
med pakning.



Art.no 40850
UV enhed.
UV-enhet.
UV-enhet.



Art.no 40807
Dobbelt O-ring til
El-enhed.
Dubbel O-ring till
el-enhet.
Dubbel O-ring till
el-enhet.



Skruer til UV-enhed
Skruar till UV-
enhet.
Skruar till UV-
enhet.

Fittingsæt komplet /Tillbehørspåse komplett /Tillbehørspåse komplett

Art.nr. 40850



Slangekoblinger.
Slangkopplingar.
Slangkopplingar.



Afløbehane.
Avloppskran.
Avloppskran.



Omløbere til slange-
koblinger.
Lösringar till slang-
kopplingar.
Lösringar till slang-
kopplingar.



Fladpakninger til
slangekoblinger.
Flatpakninger till
slangekopplingar.
Flatpakninger till
slangekopplingar.
50 mm (2").

Tryckfilter

Bioclear XL 40000 • Model 2019

Brugsanvisning



Affaldshåndtering

En defekt pumpe må ikke lægges i den normale dagrenovation, men skal indleveres på en af hjemkommunens genbrugspladser for el-materiel, f.eks. en miljøstation.

Pondteam® er et registreret varemærke. Andre varemærker anvendt i denne manual, på vor hjemmeside eller i vore kataloger tilhører de respektive ejere. Vi forbeholder os retten til at ændre produkter, specifikationer, App's og anbefalinger uden varsel.

Pondteam AB

Kantyxegatan 25 L - 21376 Malmö - Sweden • www.pondteam.com

Mail info@pondteam.com

Forbehold for trykfejl - Copyright Pondteam AB - 6/3/2025