

Assembly Guide For Gravity Fed 4"/110mm Weighted/Aerated Dome

To correctly assemble this product you will need...

4"/110mm ridged pipe

32mm ridged pipe or 25mm flexible hose

Non-toxic adhesive/non-toxic silicone sealant

1. Locate where you are going to position your dome.
2. Cut pipe (A) to the correct height of your outlet pipe on your pond.
3. Cut pipe (B) to the correct length of pipe from your dome to your outlet of your pond.
4. Cut pipe C (Fig:1) 32mm ridged pipe so it is above water level (minimum 100mm) or (Fig:2) 25mm flexible hosing so it is above water level (minimum 100mm) this tubing is to eliminate a vacuum from being cased inside the system, the pipe allows the system to vent to the atmosphere.
5. Connect pipe (A), (B) and (C) to the bend. When connecting the lengths of pipe to the bend we advise you apply a thin layer of non-toxic adhesive to the joints before pushing them together, this will ensure for a permanent joint but if you want a semi permanent joint we also advise you to use a non-toxic silicone sealant before connecting the joints together. If you are assembling your dome in conjunction with the 25mm flexible hosing (Fig:2) we recommend you push firmly until the front of the flexible tubing meets the step in the hosetail, this will make sure the joint is secure then connect pipe (A) to the dome.

Fig:1



Fig:2

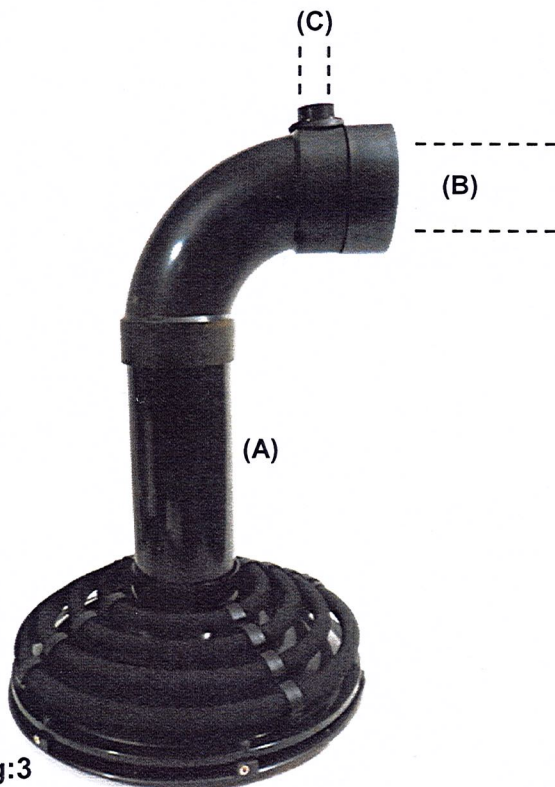
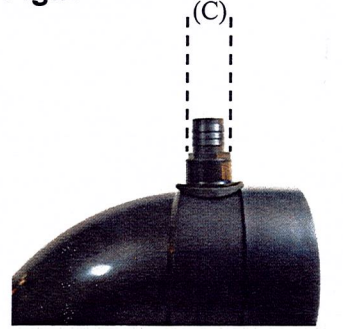


Fig:3

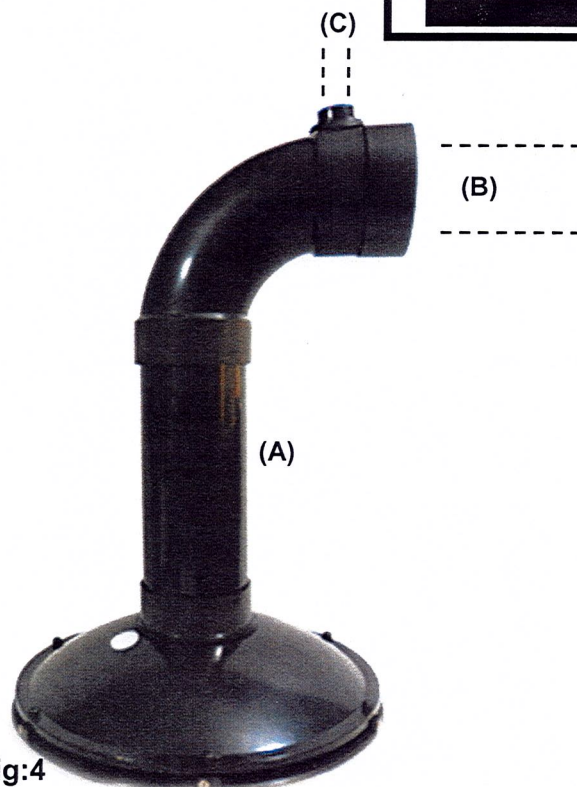
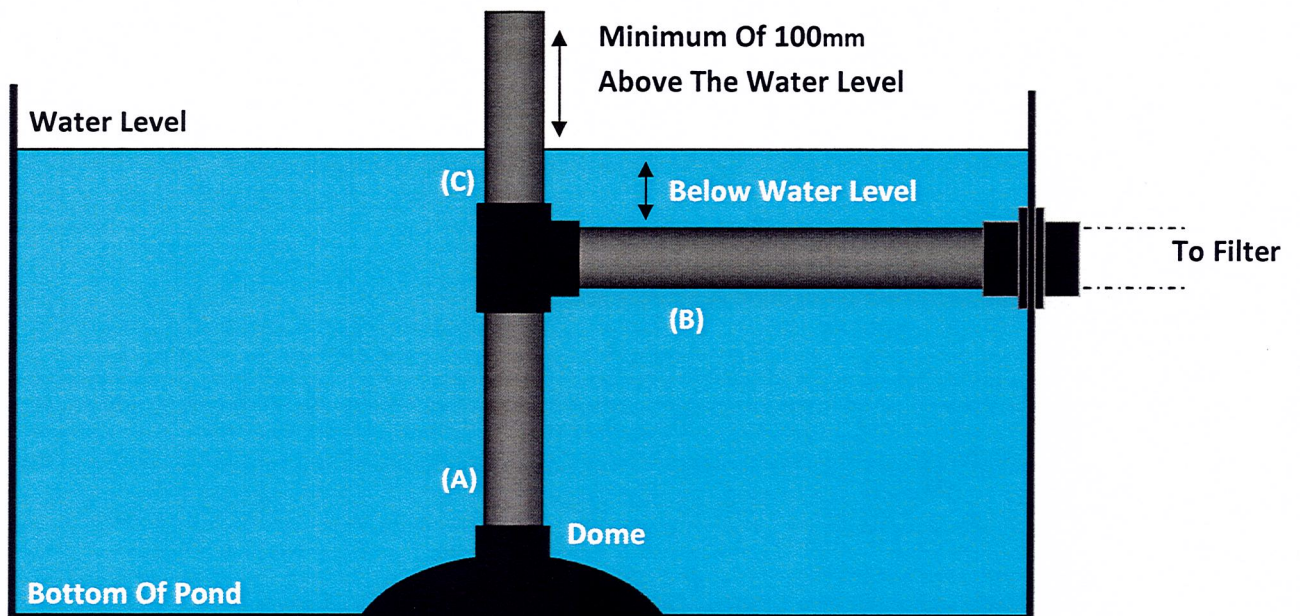


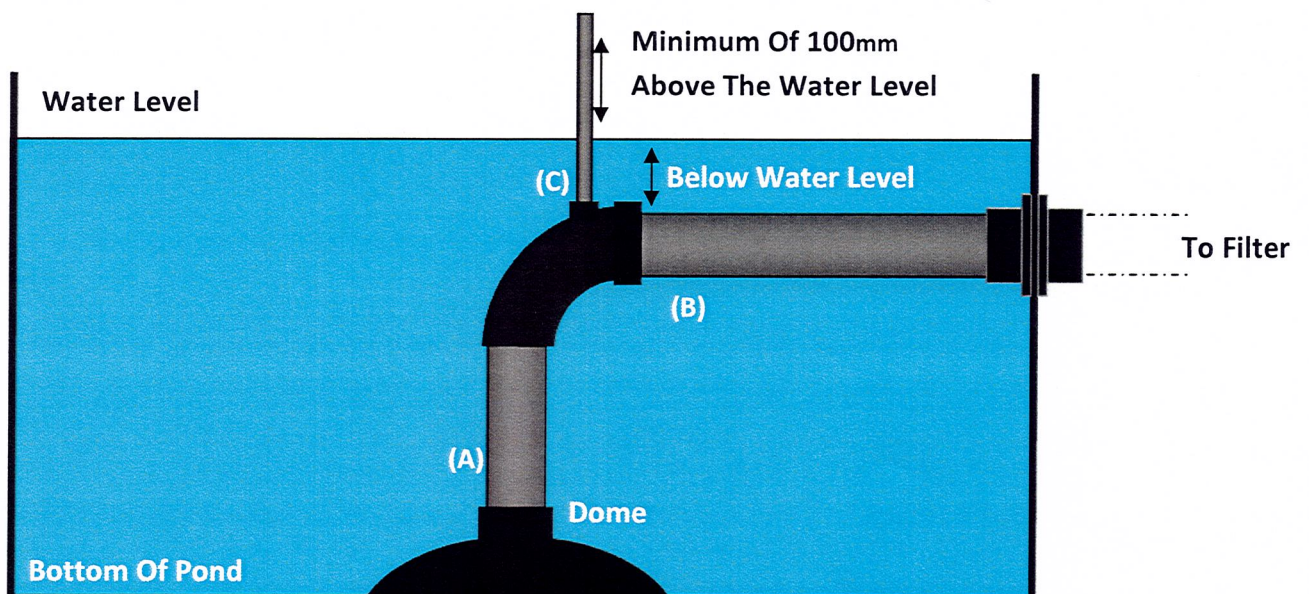
Fig:4

Diagrams of gravity feed systems

50/56mm System

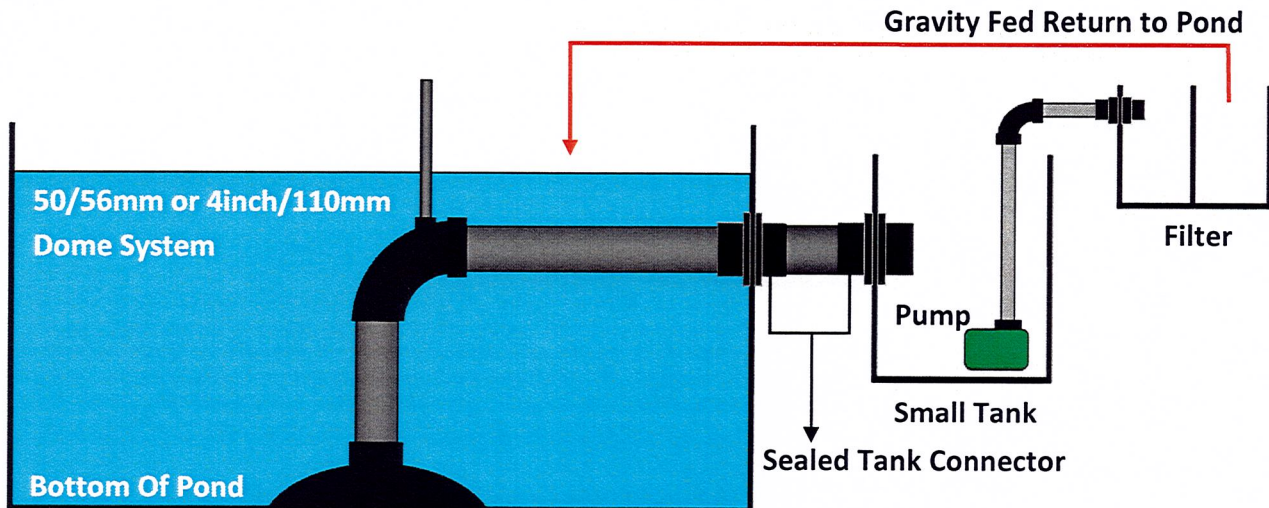


4"/110mm System

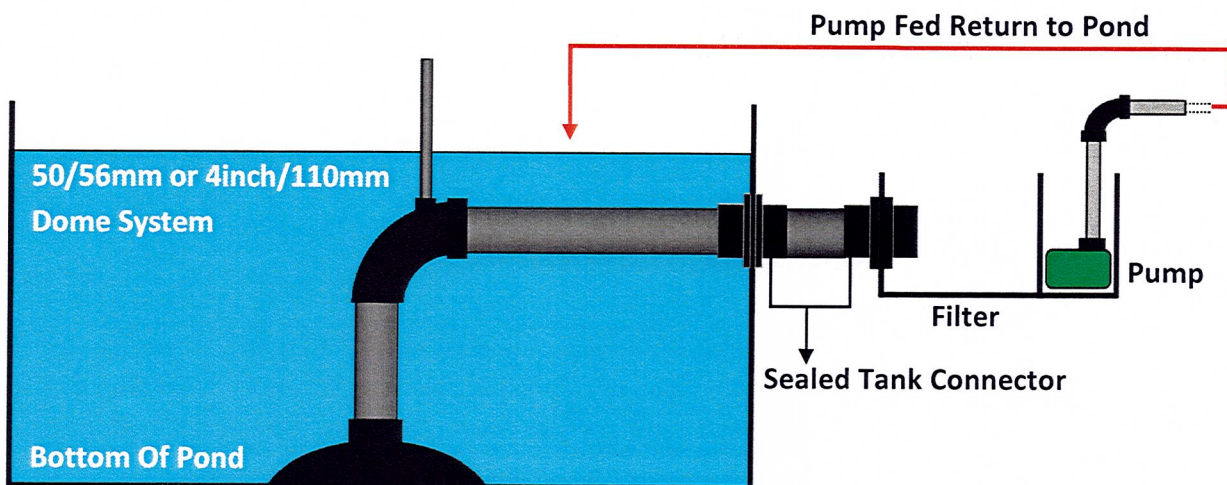


Diagrams of Gravity and Pump Return Systems

Gravity Return System



Pump Return System



Filling Of Your Weighted Dome



Fig 1

First Place your dome on a flat surface. This will allow for better stability and easier filling (Fig 1).

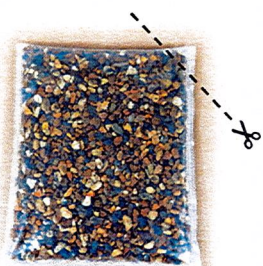


Fig 2

For easy filling of your dome cut 15-20mm off the corner of the bag of gravel supplied, this will allow the bag to be used as a funnel (Fig 2).



Fig 3

Pour the entire bag of gravel into the dome via the filling hole (Fig 3). To aide filling of the dome we advise you to tap the dome gently on regular intervals, this will allow the gravel to sit evenly on the base of the dome.



Fig 4

Once the dome has been filled with the entire bag of gravel supplied the next step will be fitting the bung into the filling hole, this is done by pushing firmly on the bung and making sure the bung is flush to the surface of the dome (Fig 4). Your dome is now weighted and ready for use.